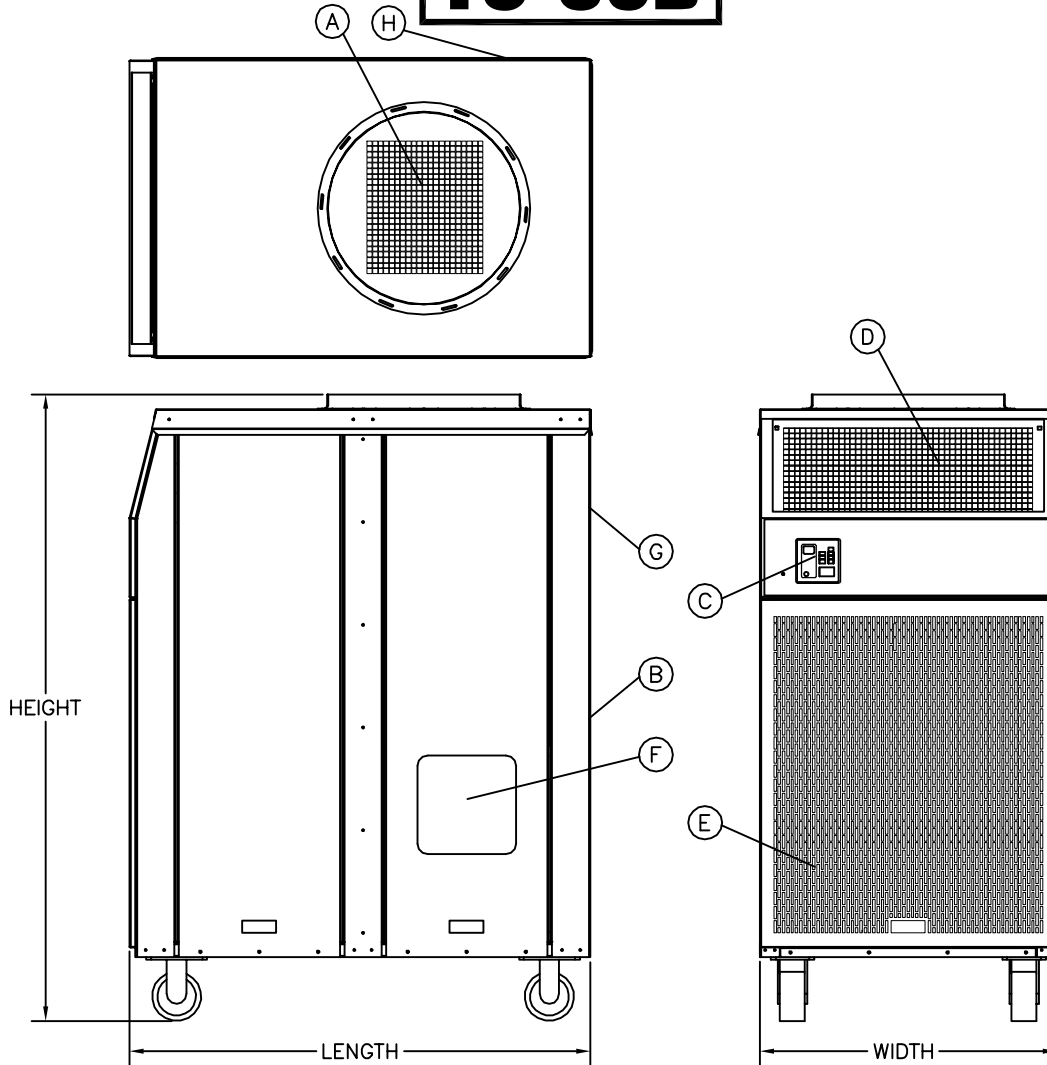




# TEMPCOOL®

PORTABLE COOLING SOLUTIONS

## TC-60B



### UNIT SPECIFICATIONS:

POWER SUPPLY: 230V/1PH/60HZ/60MCA  
AIR DELIVERY: 2,300 CFM  
COOLING CAPACITY: 77,500 BTU

### DIMENSIONS:

LENGTH: 47"  
WIDTH: 31"  
HEIGHT: 64"  
WEIGHT: 740 lb

- (A) CONDENSER EXHAUST
- (B) CONDENSER INLET
- (C) THERMOSTAT
- (D) SUPPLY AIR
- (E) RETURN AIR
- (F) CONDENSATE HOSE STORAGE
- (G) ELECTRICAL PANEL ACCESS
- (H) POWER SUPPLY

DRAWN: MACK	UPDATED: JH
DATE: 12/04/13	DATE: 05/18/17